

Model: LXH-15A1-40A1

Volumetric Water Meter

Feature:

- Volumetric piston type
- Material body: Brass
- Size: DN15 to DN40
- Available for cold water (50°C)
- Accuracy: Class C / R160 / R200



Main Technical Data:

According to IS04064(GB/T778.1-2018) Standard

Size		Class	Qs	Qp	Qt	Qmin	Min Reading	Max Reading
DN(mm)	Inch		Overload Flow	Nominal Flow	Transitional Flow	Min Flow		
			m ³ /h		L/h		m ³	
15	1/2"	C	3	1.5	22.5	15	0.00002	9999.9999
20	3/4"	C	5	2.5	37.5	25	0.00002	9999.9999
25	1"	C	7	3.5	52.5	35	0.00002	9999.9999
32	1-1/4"	C	12	6.0	90	60	0.0002	99999.999
40	1-1/2"	C	20	10	150	100	0.0002	99999.999

According to IS04064(GB/T778.1-2018) Standard

DN Size	Mm Inch	15 1/2"	20 3/4"	25 1"	32 1-1/4"	40 1-1/2"
Q4(m ³ /h)		3.125	5	7.875	12.5	20
Q3(m ³ /h)		2.5	4	6.3	10	16
R160	Q2(L/h)	25	40	63	100	160
	Q1(L/h)	15.625	25	39.375	62.5	100
R200	Q2(L/h)	20	32	50.4	80	128
	Q1(L/h)	12.5	20	31.5	50	80
Min reading(m ³)		0.00002	0.00002	0.00002	0.0002	0.0002
Max reading(m ³)		9999.9999	9999.9999	9999.9999	99999.999	99999.999
Max pressure(MAP)		16	16	16	16	16
Max loss(Δ P)		63	63	63	63	63
Max temperature		T50	T50	T50	T50	T50

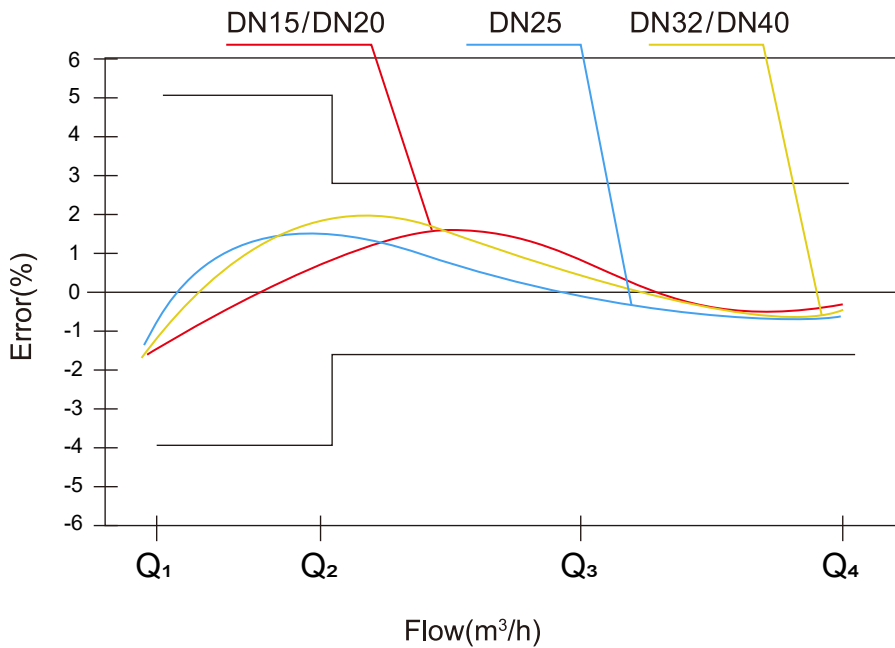
Model: LXH-15A1-40A1

INDICATING ERROR

At low zone is $\pm 5\%$ from minimum flow rate (q_{min}) to transitional flow rate (q_t) exclusive boundary

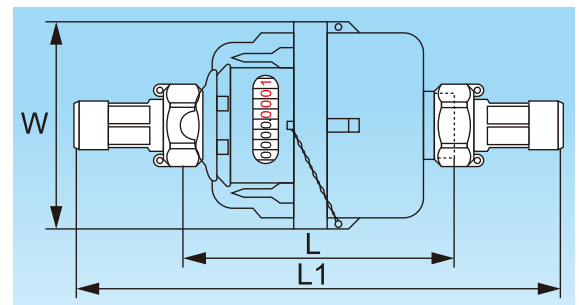
At high zone is $\pm 2\%$ from transitional flow rate (q_t) to overload flow rate (q_s)

Error Curve:



Dimensions and Weight:

Meter Size Dia DN	L Length	L1 Width	W Height	Connecting Thread D
(mm)	(mm)			
15	115/165	209	90	G3/4B
20	130/190	234	96	G1B
25	170/260	290/380	112	G1-1/4B
32	260	384	139	G1-1/2B
40	300	431	174	G2B



WORKING CONDITION:

Water temperature: $\leq 50^{\circ}\text{C}$ for cold water meter

Working pressure: $\leq 1.6\text{Mpa}$